



Andhra Pradesh State Road Transport Corporation

Office of VC&MD,
RTC House, Vijayawada,
Dt.26.03.2024.

No. TL6/359(02)/2024-MED

To

The DyCTM(MKTG),
APSRTC, RTC House,
Vijayawada.

Sub: Hiring – MSTC VII Hire bus tender notification – Modification of Pillar drop for Express & communication of PU Paint codes for Express buses being fabricated under MSTC-VII Hire scheme - Reg.

Ref: This office letter even dated 20.02.2024.

With reference to the subject, vide reference cited, the bus body specifications & drawings for AC Sleeper, Non-AC Sleeper, Indra AC Seater, Super Luxury-40-seater, UDLX, EXP, MEXP, PVG, UPVG & City Ordinary Buses on BS-VI chassis were communicated. In the above specifications it was communicated that the pillar drop for the Express bus bodies is 50 mm instead of 75mm with single roof joint.

In view of difficulty in achieving the single roof joint with 50mm pillar drop, the pillar drop is hereby modified as 75mm only. The modified Express bus bodies structural drawings (Cross sectional) is attached for reference.

Further, the PU paint shade codes for Express buses as furnished hereunder:

SI.NO	Shade Name	Shade Code
1	Crystal White	APSRTC 09 (white-2)/ 36225771210(Asian PPG)/ Sikkens of Akzonobel - NAV 9236
2	Dark Blue	Sikkens of Akzonobel - NAV6N78
3	Phiroze Blue	Sikkens of Akzonobel - S06231
4	Yellow	Sikkens of Akzonobel - FLNA 10610

This is for your information please.

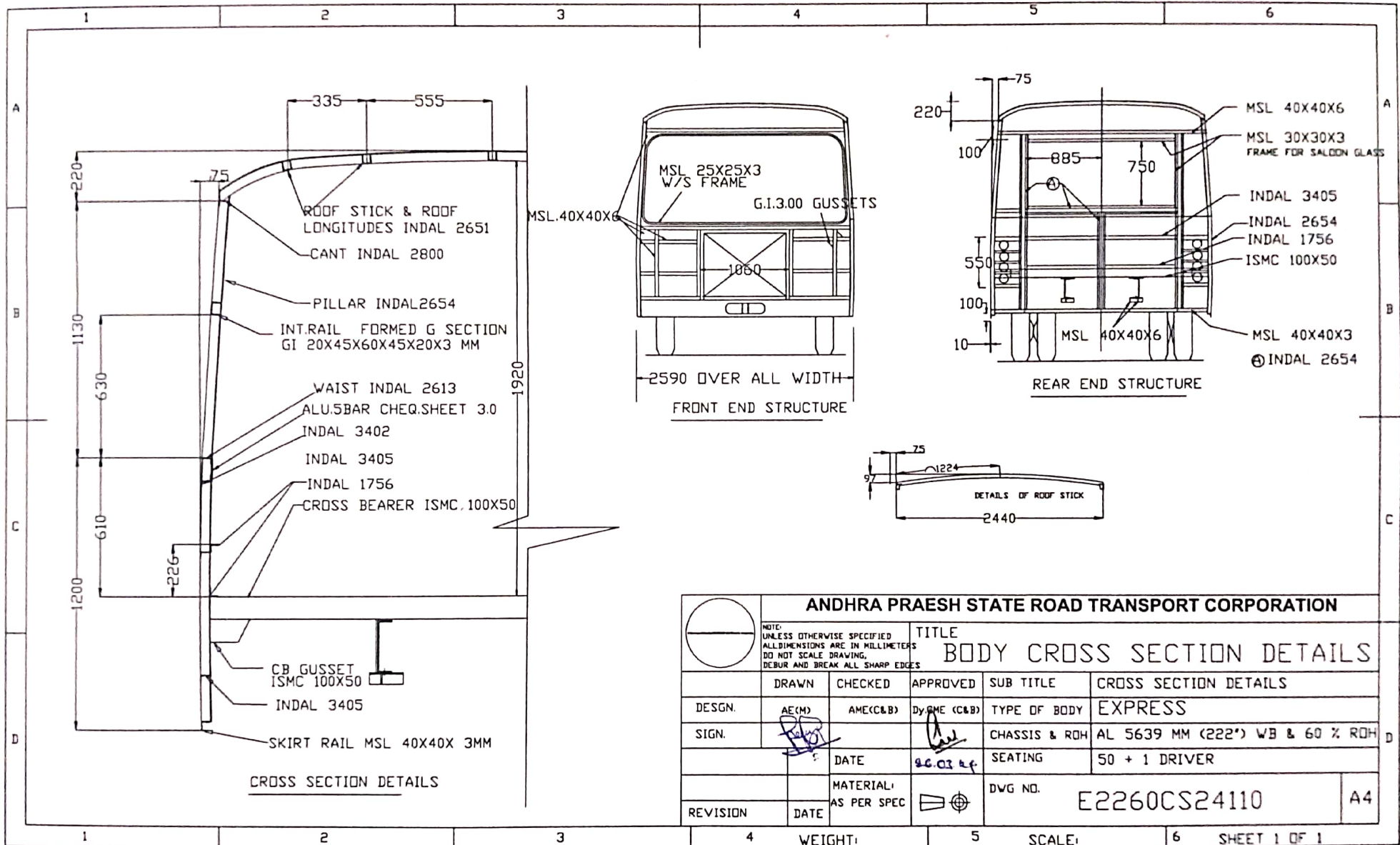
ENCL: As above

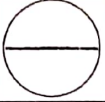

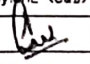


26/3/24
Dy. Chief Mechanical Engineer(C&B)

Copy to: CME(C&B) & CM(MRKT) for information please.

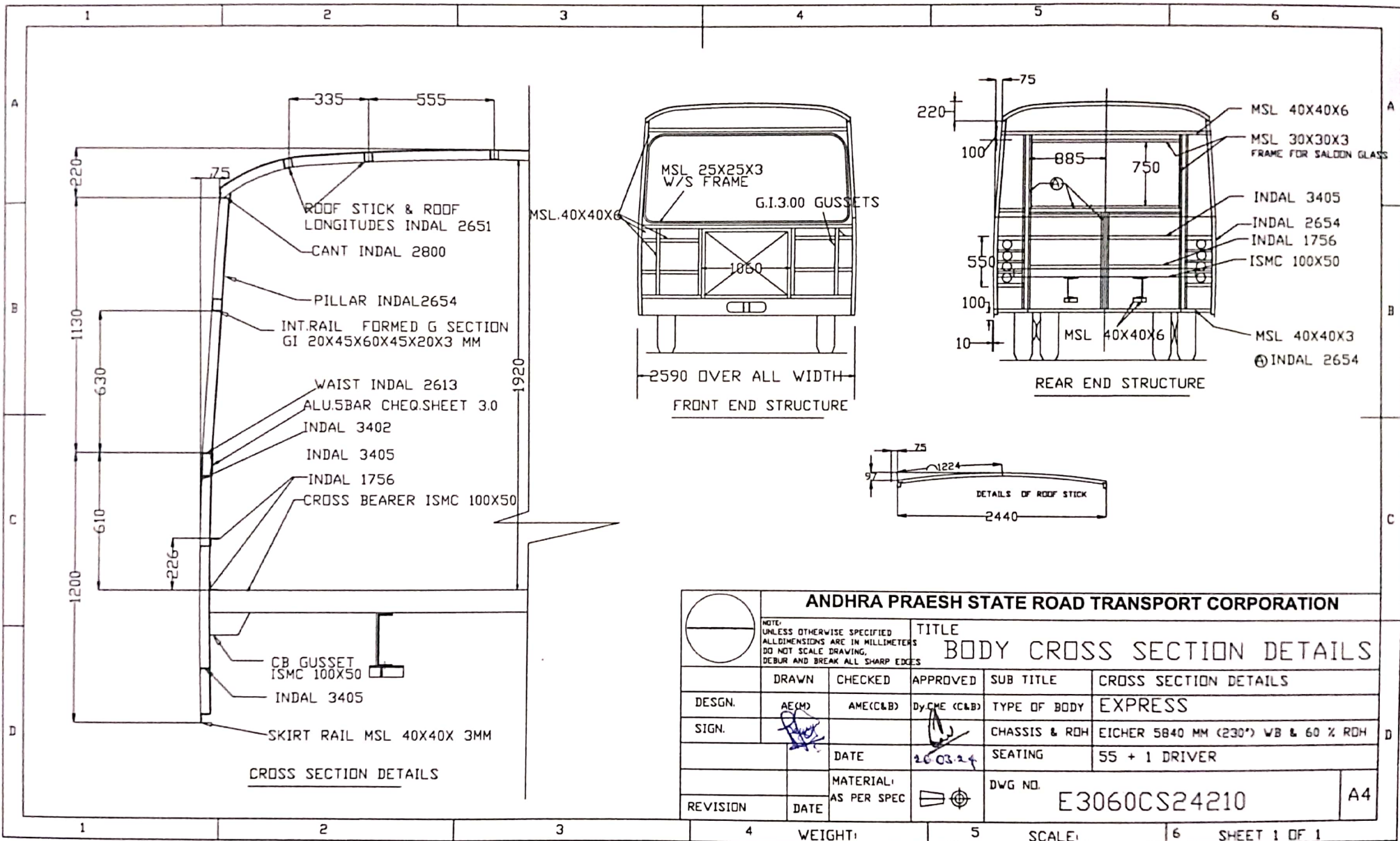
Copy to: All approved bus body fabricators.



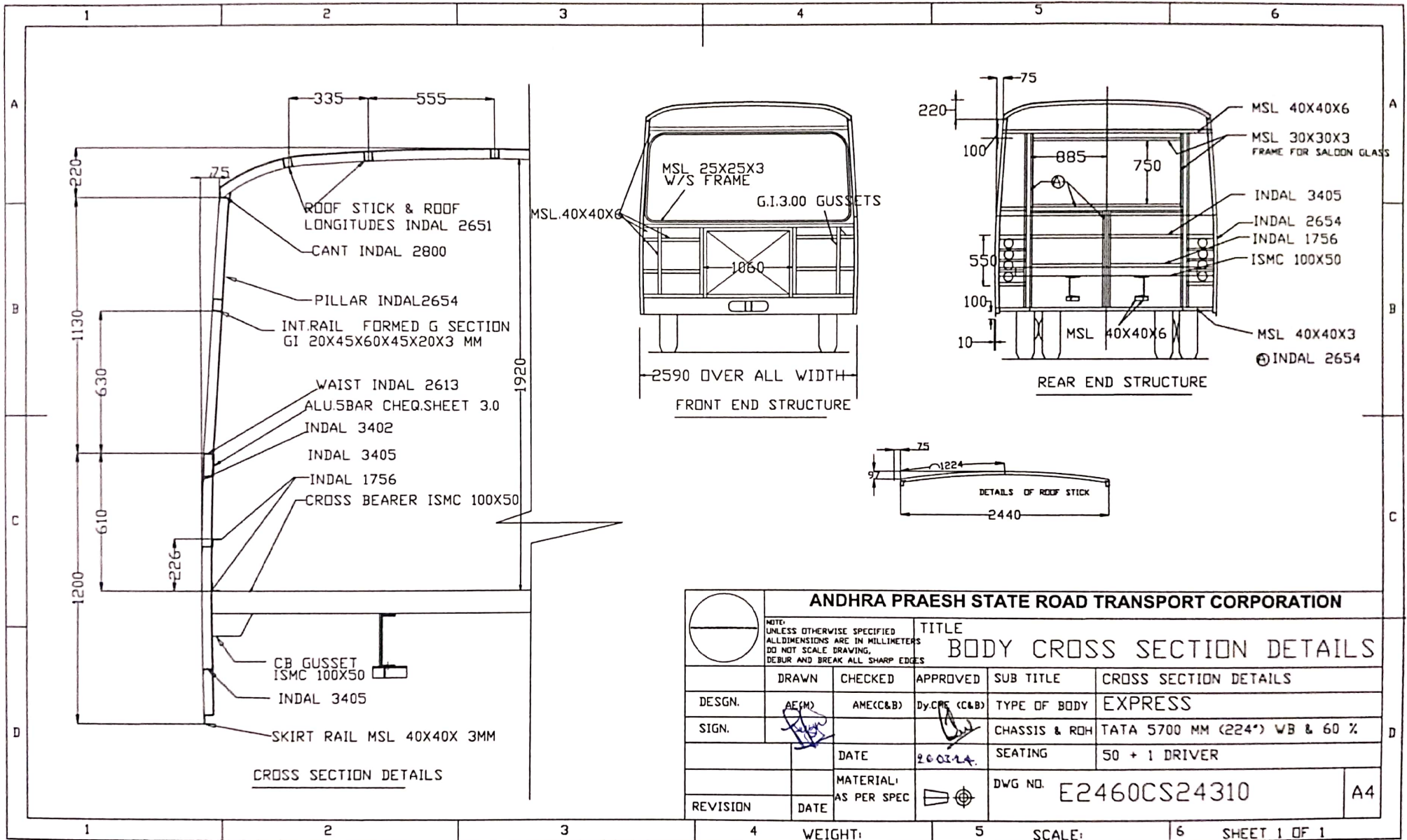


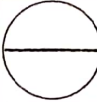
ANDHRA PRAESH STATE ROAD TRANSPORT CORPORATION					
	<small>NOTE: UNLESS OTHERWISE SPECIFIED ALL DIMENSIONS ARE IN MILLIMETERS DO NOT SCALE DRAWING, DEBUR AND BREAK ALL SHARP EDGES</small>			TITLE BODY CROSS SECTION DETAILS	
	DRAWN AE(M)	CHECKED AME(C&B)	APPROVED DyOME (C&B)	SUB TITLE CROSS SECTION DETAILS	
DESIGN.	AE(M)	AME(C&B)	DyOME (C&B)	TYPE OF BODY EXPRESS	
SIGN.			CHASSIS & ROH	AL 5639 MM (222') WB & 60 % ROH	
	DATE 26.03.24	SEATING 50 + 1 DRIVER			
REVISION	DATE	MATERIAL AS PER SPEC		DWG NO. E2260CS24110	A4

4 WEIGHT: 5 SCALE: 6 SHEET 1 OF 1



ANDHRA PRAESH STATE ROAD TRANSPORT CORPORATION					
NOTE: UNLESS OTHERWISE SPECIFIED ALL DIMENSIONS ARE IN MILLIMETERS DO NOT SCALE DRAWING, DEBUR AND BREAK ALL SHARP EDGES			TITLE BODY CROSS SECTION DETAILS		
	DRAWN	CHECKED	APPROVED	SUB TITLE	CROSS SECTION DETAILS
DESIGN.	AE(M)	AME(C&B)	Dy.CHE (C&B)	TYPE OF BODY	EXPRESS
SIGN.	<i>[Signature]</i>		<i>[Signature]</i>	CHASSIS & RDH	EICHER 5840 MM (230") WB & 60 % RDH
		DATE	20.03.24	SEATING	55 + 1 DRIVER
		MATERIAL AS PER SPEC		DWG NO.	E3060CS24210
REVISION	DATE				A4



ANDHRA PRAESH STATE ROAD TRANSPORT CORPORATION				
	<small>NOTE: UNLESS OTHERWISE SPECIFIED ALL DIMENSIONS ARE IN MILLIMETERS DO NOT SCALE DRAWING, DEBUR AND BREAK ALL SHARP EDGES</small>		TITLE BODY CROSS SECTION DETAILS	
	DRAWN AE(M)	CHECKED AME(C&B)	APPROVED Dy.CPE (C&B)	SUB TITLE CROSS SECTION DETAILS
DESGN.			TYPE OF BODY EXPRESS	
SIGN.			CHASSIS & ROH TATA 5700 MM (224") WB & 60 %	
		DATE 26.03.24	SEATING 50 + 1 DRIVER	
		MATERIAL AS PER SPEC	DWG NO. E2460CS24310	A4
REVISION	DATE	WEIGHT:	SCALE:	SHEET 1 OF 1